

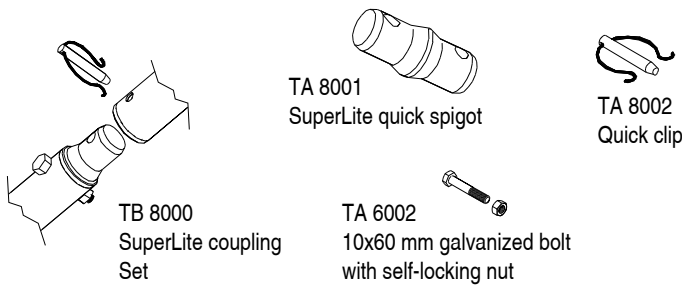
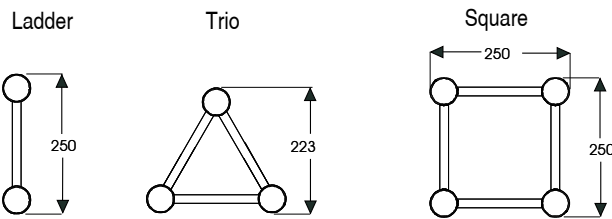
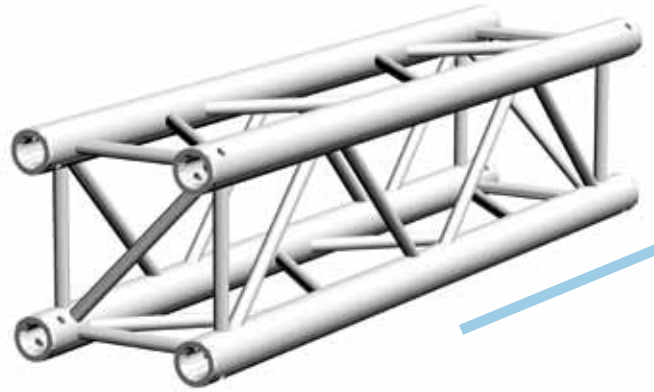
SUPERLITE 25

GENERAL FEATURES

Aluminium truss, main tube Ø 50 mm x 2 mm and diagonal tube Ø 16 mm x 1,8 mm.

COUPLING SYSTEM

Trunk-conical shaped spigot and quick connection cylindrical clip perfectly fit heavy and medium loading capacity purposes and satisfy professionals, service organizers, expo operators' needs. Those people need a versatile product of an extreme assembling ease and a good loading capacity.



TRUSS LENGTH	LADDER CODE	LADDER WEIGHT	TRIO CODE	TRIO WEIGHT	SQUARE CODE	SQUARE WEIGHT
0,5 m	TB 8205	2,10 kg	TB 8305	3,36 kg	TB 8405	4,55 kg
1,0 m	TB 8210	3,22 kg	TB 8310	5,13 kg	TB 8410	6,84 kg
1,5 m	TB 8215	4,33 kg	TB 8315	6,9 kg	TB 8415	9,13 kg
2,0 m	TB 8220	5,45 kg	TB 8320	8,67 kg	TB 8420	11,42 kg
2,5 m	TB 8225	6,57 kg	TB 8325	10,43 kg	TB 8425	13,71 kg
3,0 m	TB 8230	7,69 kg	TB 8330	12,2 kg	TB 8430	15,99 kg
3,5 m	TB 8235	8,81 kg	TB 8335	13,97 kg	TB 8435	18,29 kg
4,0 m	TB 8240	9,93 kg	TB 8340	15,74 kg	TB 8440	20,58 kg

TRUSS LENGTH	LADDER		TRIO		SQUARE	
	▲	▲▲▲▲▲	▲	▲▲▲▲▲	▲	▲▲▲▲▲
4 m	150	75	240	125	460	230
6 m	90	30	155	55	300	100
8 m	60	15	105	30	200	55
10 m	40	8	78	18	160	35
12 m	24	5	58	10	110	25
14 m	-	-	31	8	90	12
16 m	-	-	-	-	64	8

LOADING FIGURES