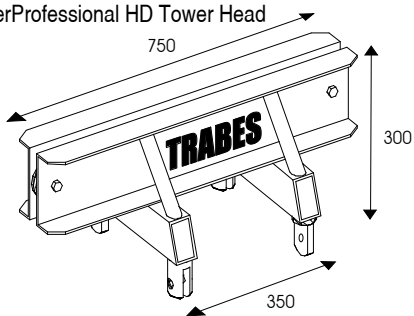
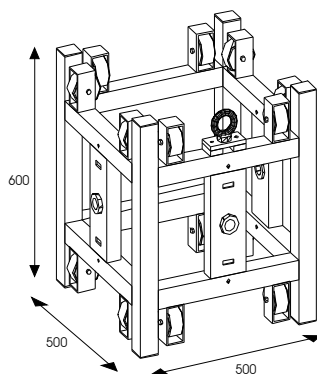
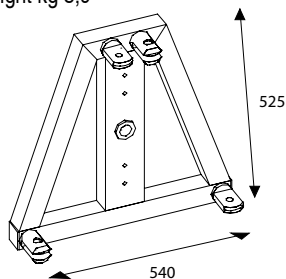


SUPERPROFESSIONAL HD 35 TOWER

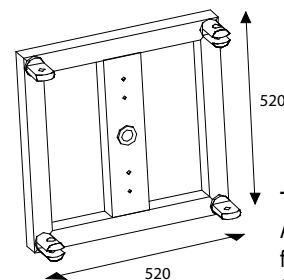
TB 9534
SuperProfessional HD Tower Head



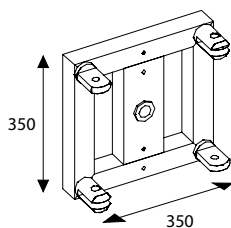
TB 9613
Adjustable Flange
for Folding
SuperProfessional HD Truss
Weight kg 8,9



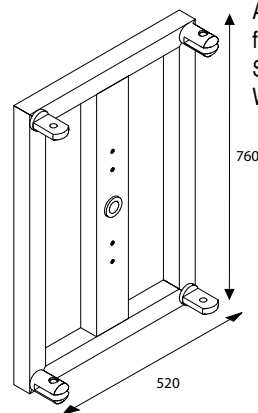
TB 9533
SuperProfessional HD Tower
Sliding Corner Block



TB 9614
Adjustable Flange
for 52x52
SuperProfessional Truss
Weight kg 9,5

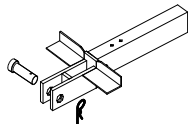


TB 9611
Adjustable Flange
for SuperProfessional HD
square Truss
Weight kg 7,5

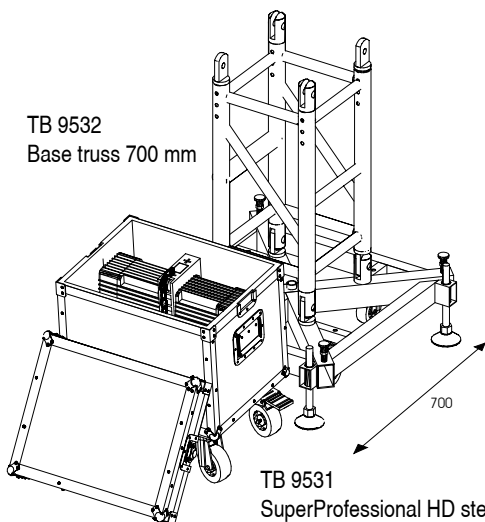


TB 9616
Adjustable Flange
for 52x76
SuperProfessional HD Truss
Weight kg 11,4

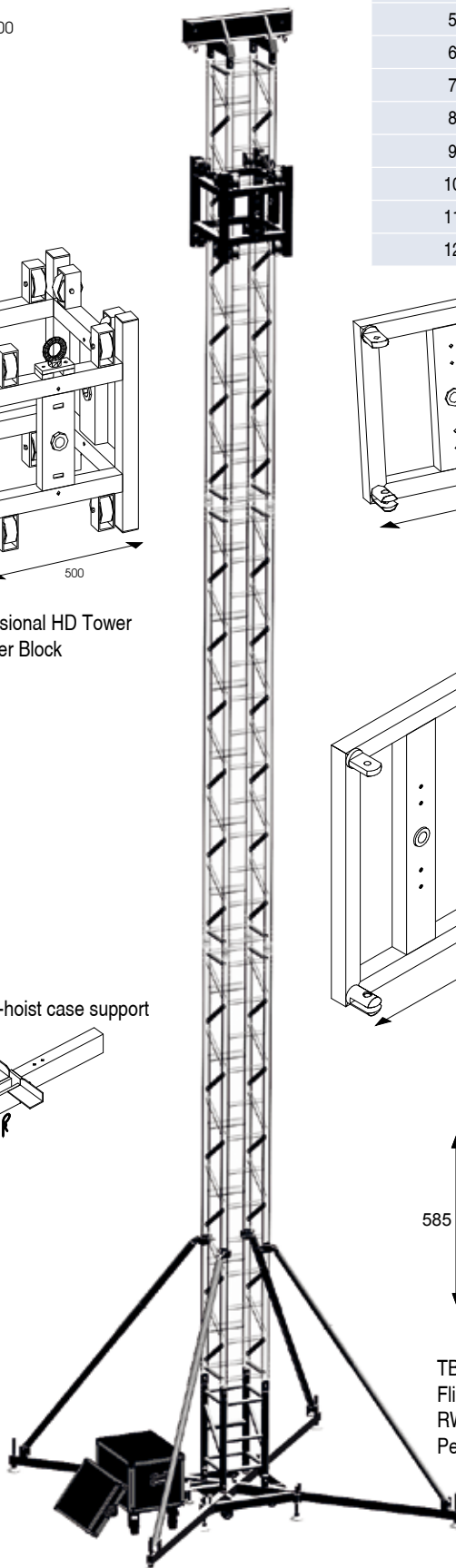
TB 9536
Tower-to-hoist case support



TB 9532
Base truss 700 mm

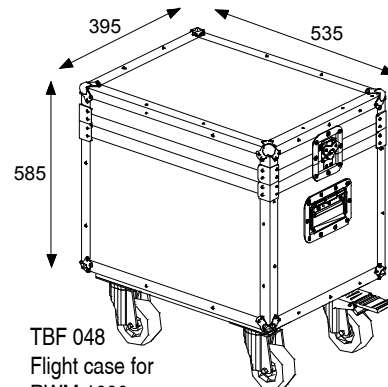


TB 9531
SuperProfessional HD steel base



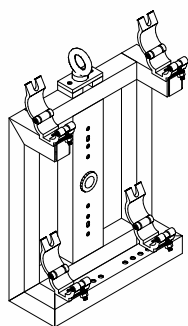
TOWER HEIGHT	LOADING CAPACITY
2 m	5500 kg
3 m	5500 kg
4 m	5500 kg
5 m	4850 kg
6 m	3450 kg
7 m	2570 kg
8 m	1900 kg
9 m	1500 kg
10 m	1200 kg
11 m	1000 kg
12 m	800 kg

LOADING FIGURES

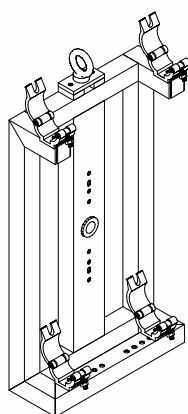


TBF 048
Flight case for
RWM 1000
Peso 17 kg

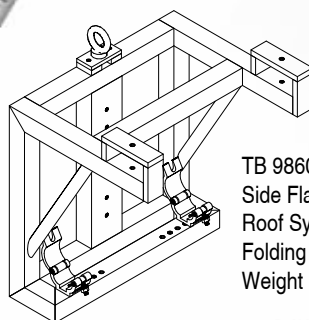
CODE	WEIGHT	DESCRIPTION
TB 9530	114,00 kg	Kit: SuperProfessional HD Tower with: 1 TB 9531, 1 TB 9532, 1 TB 9533, 1 TB 9534, 1 TB 9536
CODE	WEIGHT	KIT DESCRIPTION
TB 9534	9,00 kg	Head (4 TB 1000 included)
TB 9533	19,00 kg	Sliding Corner Block 500 x 500 x H 600 mm
TB 9531	71,00 kg	SuperProfessional HD Base, 4 adjustable upwinds, hoist-to-tower support, 4 wheels Ø 80 mm, spirit level, 4 base adjustments
TB 9532	12,00 kg	Base Square Truss700 mm
TB 9536	3,00 kg	Tower-to-hoist case support



TB 9870
Side Flange for
Roof Systems with 52x52
section Truss
Weight kg 10,1



TB 9890
Side Flange for
Roof Systems with 52x76
section Truss
Weight kg 12,5



TB 9860
Side Flange for
Roof Systems with
Folding Truss
Weight kg 11,95

