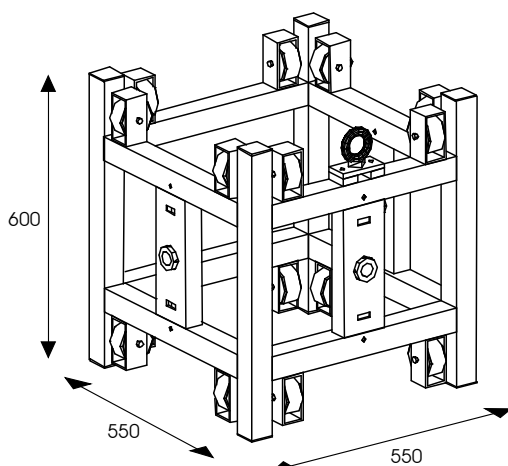
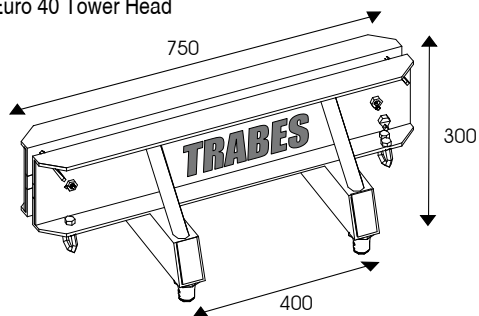
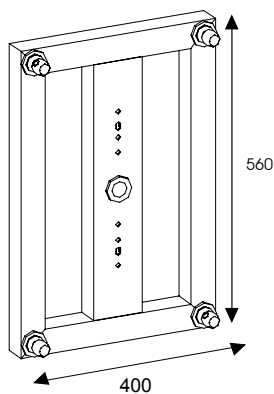


## EURO 40 TOWER

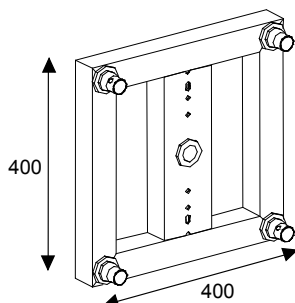
TB 954124  
Euro 40 Tower Head



TB 9642  
Adjustable Flange  
400 x 560 mm  
Weight 11 kg

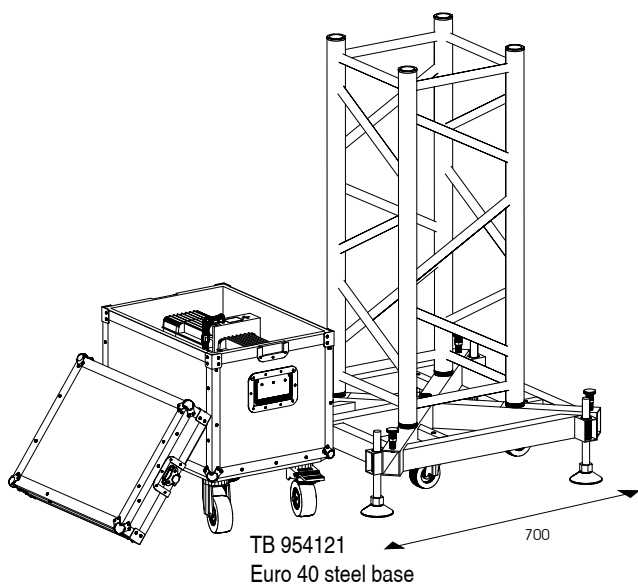
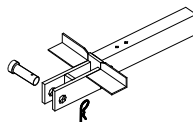


TB 954123  
Euro 40 Sliding  
Corner Block

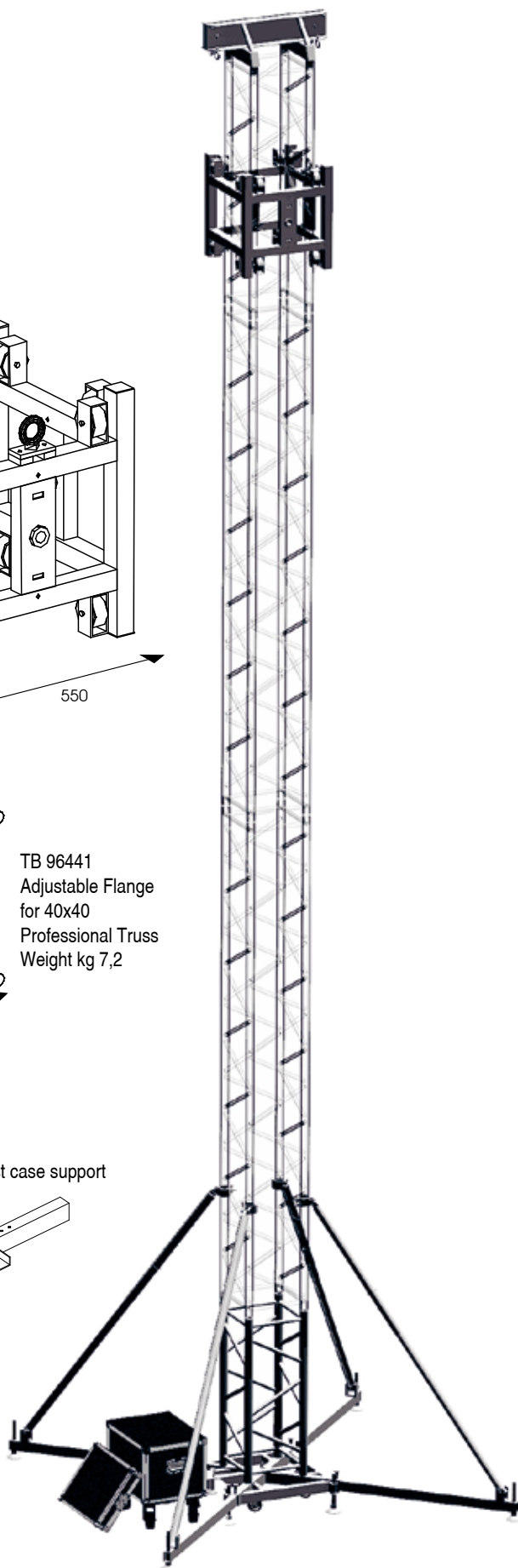


TB 96441  
Adjustable Flange  
for 40x40  
Professional Truss  
Weight kg 7,2

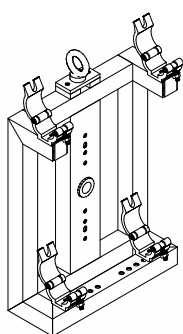
TB 9536  
Tower-to-hoist case support



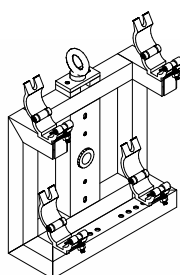
TB 954121  
Euro 40 steel base



CODE	WEIGHT	DESCRIPTION
TB 954120	103,00 kg	Kit Euro 40 Tower with: TB 95441, TB 95443, TB 95444, TB 9536
CODE	WEIGHT	KIT DESCRIPTION
TB 954124	9,00 kg	Head (4 TA 4006 and 4 TA 8009 included)
TB 954123	20,00 kg	Sliding Corner Block 550 x 550 x H 600 mm
TB 9536	3,00 kg	Hoist case-to-tower support
TB 954121	71,00 kg	Euro 40 Base, 4 adjustable upwinds, hoist-to-tower support, 4 wheels Ø 80 mm, spirit level, 4 base adjustments.



TB 9850  
Side Flange for Roof  
Systems with 40x56  
section Truss  
Weight kg 9,65



TB 9840  
Side Flange for Roof  
Systems with 40x40  
section Truss  
Weight kg 8,5

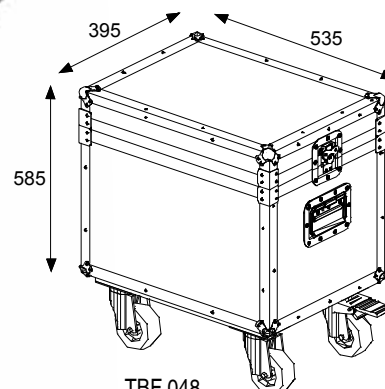
TOWER HEIGHT	LOADING CAPACITY
2 m	3500 kg
3 m	3500 kg
4 m	3500 kg
5 m	3500 kg
6 m	2400 kg
7 m	1750 kg
8 m	1300 kg
9 m	1000 kg

LOADING FIGURES

TA 95448  
Euro 40  
Tower's Lifter  
Weight 20 kg

TB 95449  
Kit: Euro 40  
Tower's Lifter  
Weight 22 kg  
with:  
- nr. 1 TA 95442  
- nr. 1 TA 95448

TA 9542  
Lifter-to-tower  
support  
Weight 2 kg



TBF 048  
Flight case for RWM 1000  
Weight 17 kg

