

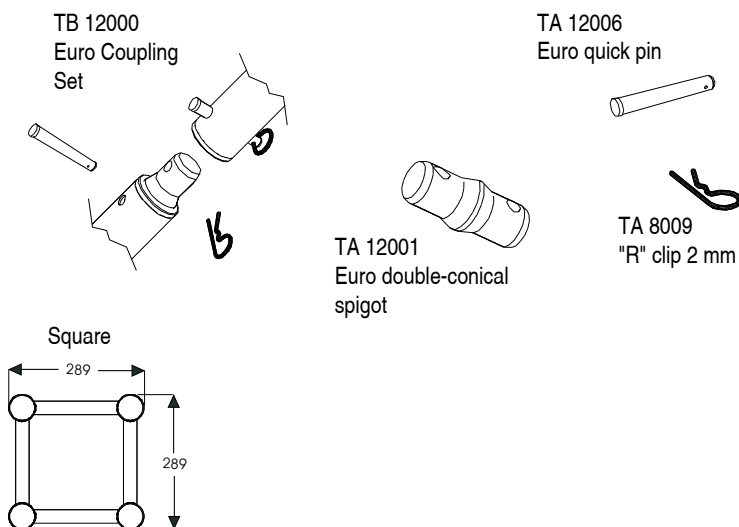
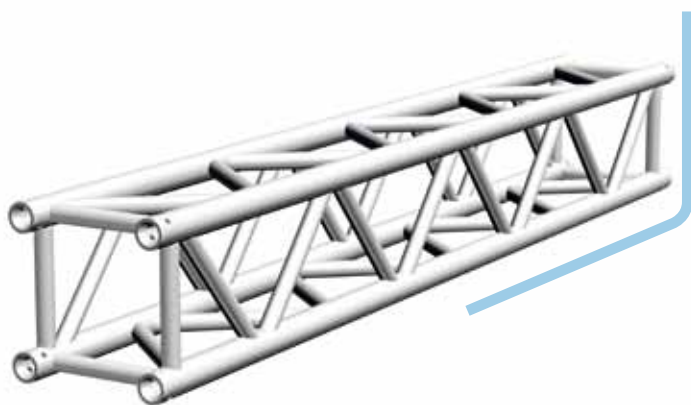
## EURO 29 HEAVY DUTY

### GENERAL FEATURES

Square truss in 6082-T6 aluminium alloy, main tube  $\varnothing 50 \times 3$  mm, diagonal tubes  $\varnothing 25 \times 2$  mm.  
Twist resistant truss.

### COUPLING SYSTEM

Double trunk-conical shaped spigot, quick pin and "R" clip are the best solution for high loading capacities. The wide range of accessories makes the product versatile both in a professional sphere and in situations where endusers need to rig heavy equipments (service organizers and show business operators).



| TRUSS LENGTH | CODE     | WEIGHT   |
|--------------|----------|----------|
| 0,5 m        | TB 12405 | 7,75 kg  |
| 1,0 m        | TB 12410 | 12,00 kg |
| 1,5 m        | TB 12415 | 16,20 kg |
| 2,0 m        | TB 12420 | 20,50 kg |
| 2,5 m        | TB 12425 | 24,70 kg |
| 3,0 m        | TB 12430 | 29,00 kg |
| 3,5 m        | TB 12435 | 33,10 kg |
| 4,0 m        | TB 12440 | 37,45 kg |

| TRUSS LENGTH | SQUARE |      |
|--------------|--------|------|
|              | ▲      | ▲▲▲▲ |
| 4            | 1100   | 600  |
| 6            | 1005   | 335  |
| 8            | 728    | 182  |
| 10           | 555    | 111  |
| 12           | 435    | 73   |
| 14           | 345    | 49   |
| 16           | 274    | 34   |
| 18           | 215    | 24   |
| 20           | 165    | 17   |

LOADING FIGURES