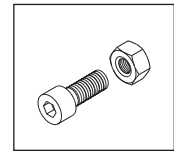
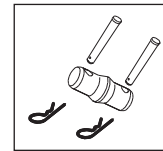


#### AVAILABLE CONNECTION SYSTEMS



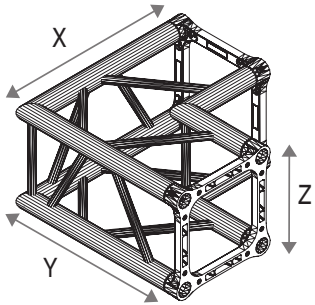
#### TECHNICAL SPECIFICATIONS

External dimensions	252mm x 252 mm
Interaxis	200 mm x 200 mm
Main tube	Round tube Ø 50x2 mm Aluminium EN AW 6082-T6
Diagonal tube	Round tube Ø 12x1.5 mm Aluminium EN AW 6060-T6
Endplate	Aluminium casting
Coupling set	Conical spigots, pins and clips (standard) / Bolts (on request)

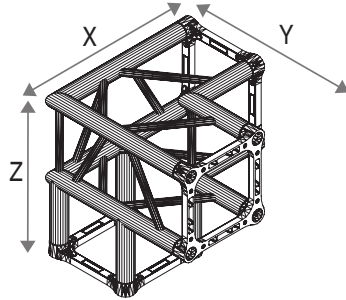
#### STANDARD LENGTHS

LENGTH (m)	0.125	0.25	0.50	1.00	1.50	2.00	2.50	3.00	4.00
WEIGHT (kg)	-	-	4.55	6.84	9.13	11.42	13.71	15.99	20.58

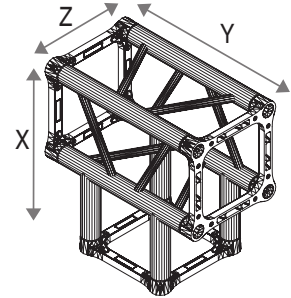
Loading distribution WITH SPIGOTS	CPL		2PL		3PL		4PL		UDL		
Length	↓	↓	↓↓	↓	↓↓	↓	↓↓	U.D.L. (kg/m)	Total load weight (kg)	Max central Deflection (cm)	
4 m	432	320	640	215	645	160	640	161	644	1.3	
6 m	279	210	420	140	420	116	464	93	558	3.7	
8 m	201	151	302	100	300	84	336	50	400	6.6	
10 m	152	114	228	76	228	63	252	30	300	10.5	
12 m	117	88	176	59	177	49	196	20	240	15.0	
14 m	91	68	136	46	138	38	152	13	182	20.1	



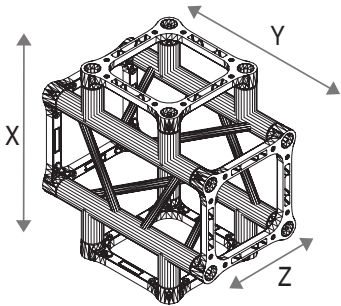
Code	X	Y	Z	kg
TB 16460	500	500	252	5.0



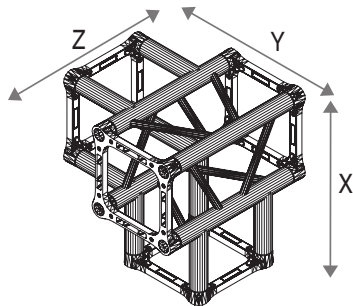
Code	X	Y	Z	kg
TB 16470	500	500	500	7.5



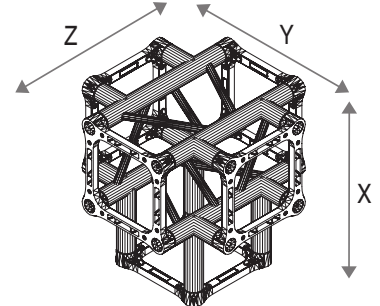
Code	X	Y	Z	kg
TB 16475	500	500	252	7.5



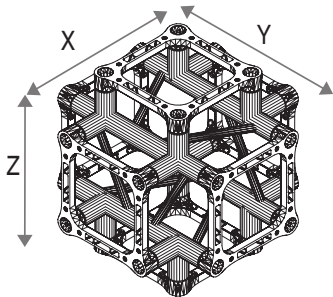
Code	X	Y	Z	kg
TB 16485	500	500	252	10.0



Code	X	Y	Z	kg
TB 16480	500	500	500	10.0



Code	X	Y	Z	kg
TB 16490	500	500	500	12.5



Code	X	Y	Z	kg
TB 16495	500	500	500	15.0